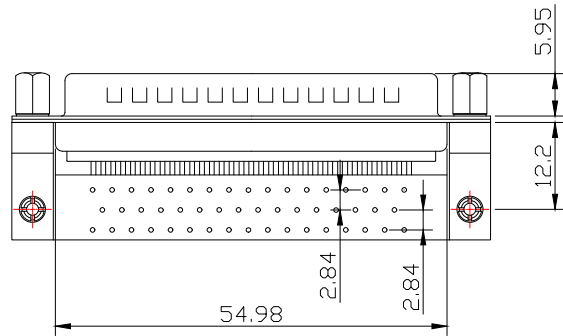
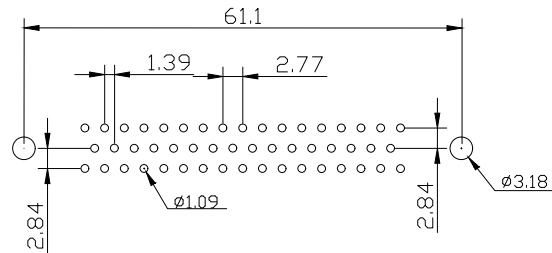


Voltage Current Rating:5 AMP.
 Dielectric Withstanding Voltage:1000V AC
 Insulation Resistance:5000MΩ Min.
 Temperature Range:-25℃ to +85℃



PART NO: B05-0505X14D-02

HOUSING COLOR:
 1 = BLACK
 5 = WHITE
 6 = BLUE



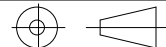
5	JACKSCREWS	BRASS	PLATING: Ni	
4	HOUSING	PBT+30%GF	COLOR: WHITE	
3	RIVETED INSERT	BRASS	PLATING: Ni	
2	SHELL	STEEL	PLATING: Ni	
1	TERMINAL	BRASS	TERMINAL FINISH: FULL GOLD FINISHED 2u"	
ITEM	DESC.	MATERIAL	REMAKS	PART REMAKS

QUALITY SYMBOLS

□: ☒: CRITICAL MAJOR
 ▽: ▽: ZERO DEFECT S.P.C

Tolerance

x. ±0.50
 .x ±0.30
 .xx ±0.25



NAME:	D-SUB 50P 车针公头90度插板9.4折弯铆支架鱼叉锁螺丝 (客户用图)				PART NO.	B05-0505X14D-02		
REV:	A	UNIT:	mm	DRW BY	CHK BY	APP BY	DRAWING NO.	
SCALE:	N:1	DATE:	2013/08/04	JINGLI	KING ZHOU		B05-013	

lineconn 东莞市林诚塑胶电子有限公司 <http://www.lineconn.com>
 TEL:0769-85181660 85181770

△	2013/08/04	NEW ISSUE	JINGLI	
SIDE	DATE	DESCRIPTION	APPROVER	