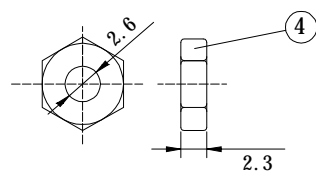
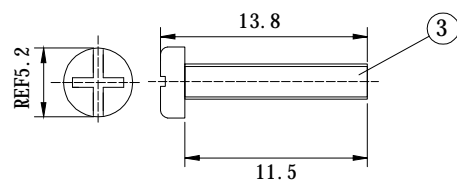
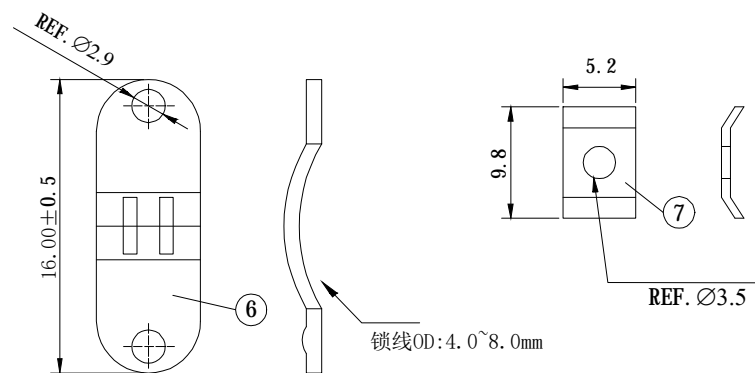
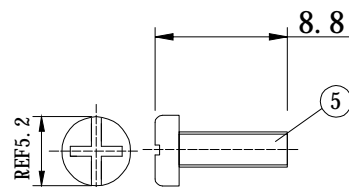
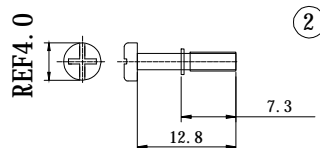


PART NO.:
B05-009NXNN6-XXA

ENTRY HOLE SIZES:
55:OD 5.5mm
65:OD 6.5mm
80:OD 8.0mm
HOOD COLOR:
1:BLACK
2:GRAY



7	垫片	SPCC	PLATING: Ni	2PCS
6	线夹	SPCC	PLATING: Ni	2PCS
5	线夹螺丝M3	快削铁	PLATING: Ni	2PCS
4	固定螺母M3	快削铁	PLATING: Ni	2PCS
3	固定螺丝M3	快削铁	PLATING: Ni	2PCS
2	半牙螺丝4#40	快削铁	PLATING: Ni	2PCS
1	上下外壳	ABS	COLOR: SEE PART NO.	1SET
ITEM	DESC.	MATERIAL	REMAKS	PART REMAKS

△	2019/02/18	修正螺牙规格标注	JACK CHEN
△	2015/03/09	依实物尺寸修正短螺丝尺寸, 修正线夹公差	JACK CHEN
△	2011/03/11	新版发行	JACK CHEN

QUALITY SYMBOLS
□: ☒:
CRITICAL MAJOR
▽: ▽:
ZERO DEFECT S.P.C

Tolerance		NAME:		D-SUB 9P塑胶装配壳 短螺丝 (客户用图)		PART NO.		B05-009NXNN6-XXA	
x.	±0.80	REV:	C	UNIT:	mm	DRW BY	CHK BY	APP BY	DRAWING NO.
.x	±0.50	SCALE:	N:1	DATE:	2011/03/11	JING LI	JACK CHEN		B05-001
.xx	±0.25	Lineconn 东莞市林诚塑胶电子有限公司		http://www.lineconn.com		TEL:0769-85181660 85181770			

SIDE	DATE	DESCRIPTION	APPROVER
8	7	6	5