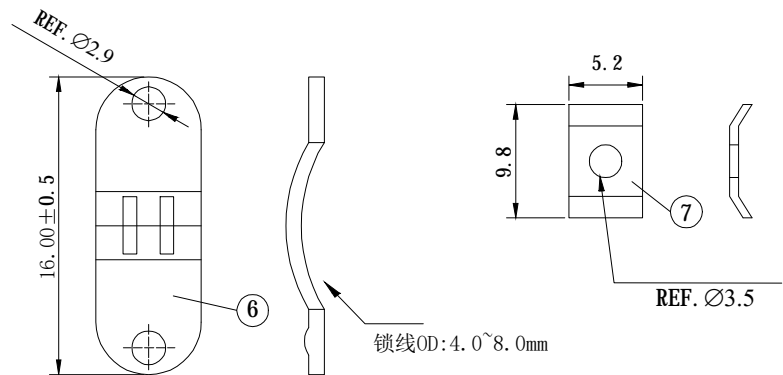


PART NO.:
B05-009NNBN6-XXC

ENTRY HOLE SIZES:
55:OD 5.5mm
65:OD 6.5mm
80:OD 8.0mm



ITEM	DESC.	MATERIAL	REMARKS	PART REMARKS
7	垫片	SPCC	PLATING: Ni	2PCS
6	线夹	SPCC	PLATING: Ni	2PCS
5	线夹螺丝M3	快削铁	PLATING: Ni	2PCS
4	固定螺母M3	快削铁	PLATING: Ni	2PCS
3	固定螺丝M3	快削铁	PLATING: Ni	2PCS
2	半牙螺丝4#40	快削铁	PLATING: Ni	2PCS
1	上下外壳	ABS	PLATING: Cr	1SET

△				QUALITY SYMBOLS
△				□: ☒:
△	2015/03/11 新版发行		JACK CHEN	CRITICAL MAJOR
SIDE	DATE	DESCRIPTION	APPROVER	▽: ▽: ZERO DEFECT S.P.C

Tolerance		NAME: D-SUB 9P电镀塑胶装配壳 短螺丝 (客户用图)			PART NO.	B05-009NNBN6-XXC			
x.	±0.80	REV:	A	UNIT:	mm	DRW BY	CHK BY	APP BY	DRAWING NO.
.x	±0.50	SCALE:	N:1	DATE:	2015/03/11	JING LI	JACK CHEN		B05-041
.xx	±0.25	东莞市林诚塑胶电子有限公司			http://www.lineconn.com TEL:0769-85181660 85181770				