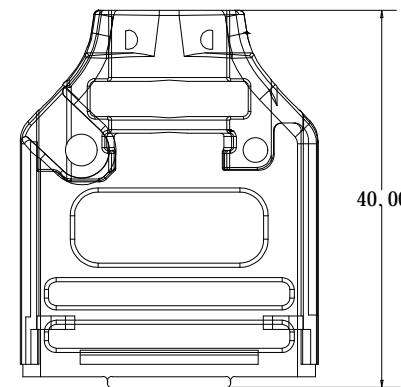
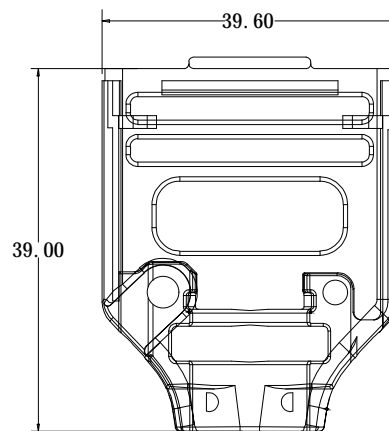
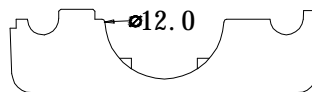
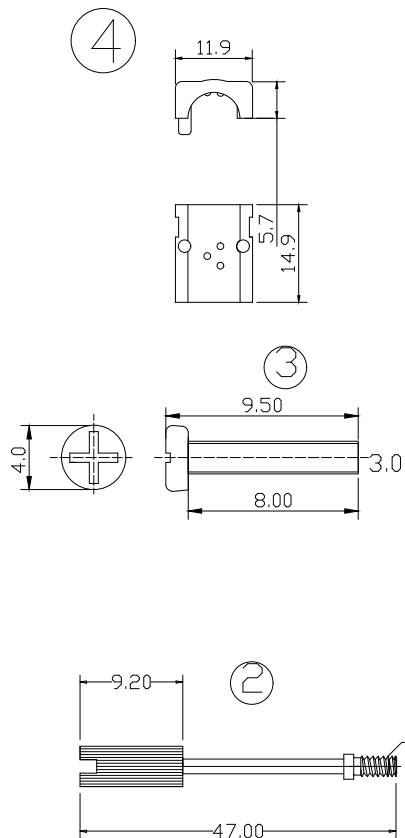


**RoHS COMPLIANT**



**PART NO.:**  
**B05-015NN8N9-XXC**  
**ENTRY HOLE SIZES:**  
 60:OD 6.0mm  
 80:OD 8.0mm  
 1A:OD 10.0mm  
 1C:OD 12.0mm

4	黑色线卡	ABS	COLOR: BLACK	1SET
3	全牙螺丝	STEEL	PLATING: Ni	2PCS
2	螺丝#4-40 UNC	STEEL	PLATING: Zn	2PCS
1	上下外壳	ZINC	PLATING: Ni	1SET
ITEM	DESC.	MATERIAL	REMARKS	PART REMARKS

△				QUALITY SYMBOLS	Tolerance	NAME:	D-SUB 15P 锌合金外壳HD型 (客户用图)			PART NO.	B05-015NN8N9-XXC	
△	2013/04/08	新版发行	JACK CHEN	□: CRITICAL ▽: ZERO DEFECT	x. ±0.80 .x ±0.50 .xx ±0.25	REV: A	UNIT: mm	DRW BY: JING LI	CHK BY: JACK CHEN	APP BY:	DRAWING NO.	B05-051
SIDE	DATE	DESCRIPTION	APPROVER	ZERO DEFECT S.P.C		SCALE: N:1	DATE: 2013/04/08	JING LI JACK CHEN				

--------------	------	----------	----------	----------	----------	----------	----------	----------	----------	----------	----------	----------

**lineconn** 东莞市林诚塑胶电子有限公司 <http://www.lineconn.com>  
 TEL: 0769-85181660 85181770