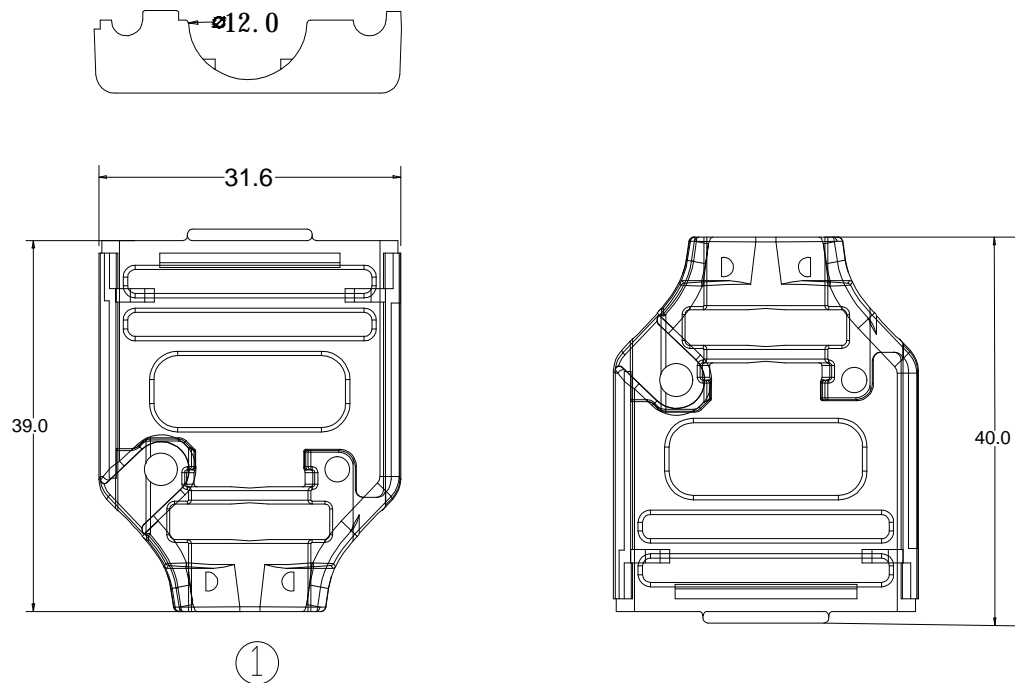
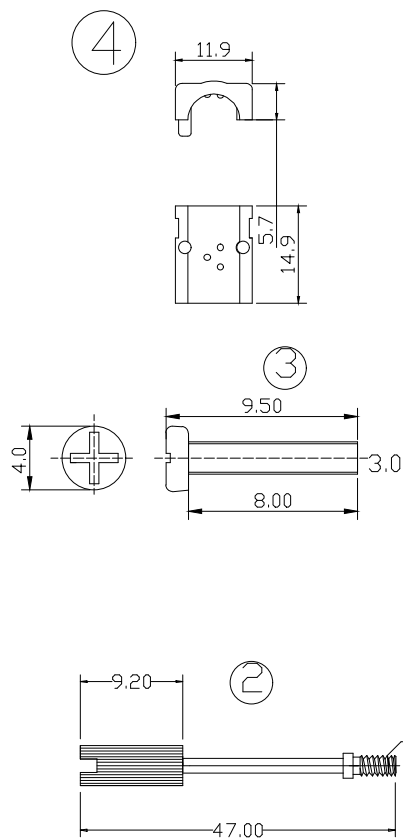






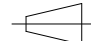


RoHS COMPLIANT



PART NO.:
B05-009NN8N9-XXC
 ENTRY HOLE SIZES: 
 60:OD 6.0mm
 80:OD 8.0mm
 1A:OD 10.0mm

4	黑色线卡	ABS	COLOR: BLACK	1SET
3	全牙螺丝	STEEL	PLATING: Ni	2PCS
2	螺丝#4-40 UNC	STEEL	PLATING: Zn	2PCS
1	上下外壳	ZINC	PLATING: Ni	1SET
ITEM	DESC.	MATERIAL	REMAKS	PART REMAKS

				QUALITY SYMBOLS		Tolerance		NAME: D-SUB 09P 锌合金外壳HD型 (客户用图)			PART NO. B05-009NN8N9-XXC				
				<input type="checkbox"/>	<input checked="" type="checkbox"/>	x-	±0.80	REV:	A	UNIT:	mm	DRW BY	CHK BY	APP BY	DRAWING NO.
	2013/04/08	新版发行		CRITICAL	MAJOR	.x	±0.50	SCALE:	N:1	DATE:	2013/04/08	JING LI	JACK CHEN		B05-052
SIDE	DATE	DESCRIPTION	APPROVER			.xx	±0.25	lineconn 东莞市林诚塑胶电子有限公司			http://www.lineconn.com TEL:0769-85181660 85181770				
8	7	6	5	ZERO DEFECT S.P.C		 		3		2		1			