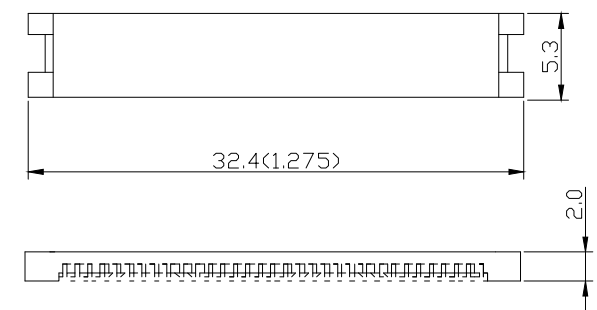

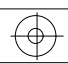
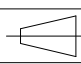


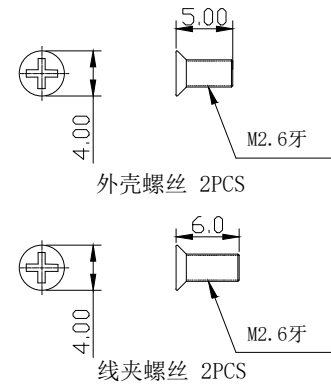
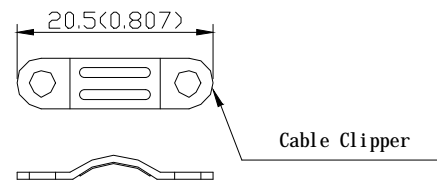
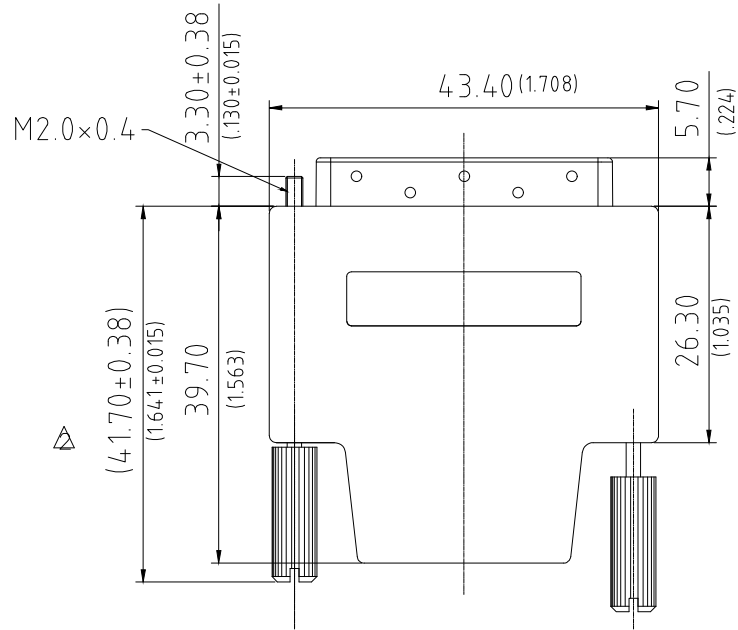
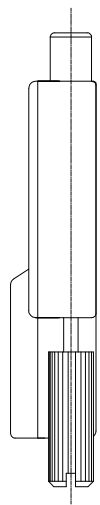
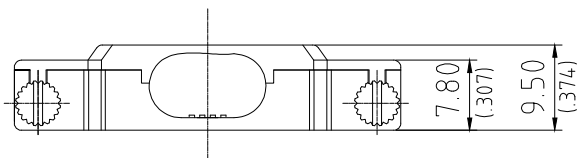
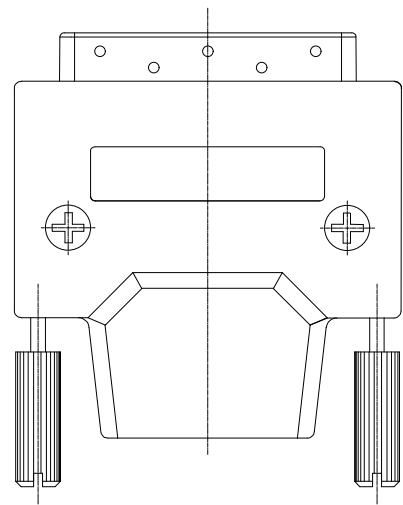
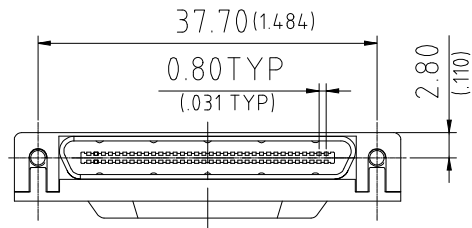
**Termination Cover  
(2 Places)**



**Voltage Current Rating: 2 AMP.**  
**Dielectric Withstanding Voltage: 500V**  
 nsulation Resistance: 500MΩ Min.  
 Temperature Range: -25°C to +85°C

4	SHELL	SPCC	PLATED NI	
3	HOUSING	PBT+30% UL 94-V0	COLOR: BLACK	
2	COVER	PBT+30% UL 94-V0	COLOR: BLACK	
1	TERMINAL	COPPER ALLOY	CONTACT AREA: G/F SOLDER AREA: Sn UNDER-PLATING: Ni	
ITEM	DESC.	MATERIAL	REMARKS	PART REMARKS

A	△			QUALITY SYMBOLS	Tolerance	NAME: VHDCI 68P MALE IDC 刺破式 〈客户用图〉				PART NO.	B06-068111A0-01		
	△			□:    ☒:	x:    ±0.80	REV:	A	UNIT:	mm	DRW BY	CHK BY	APP BY	DRAWING NO.
	△	2017/04/06 新版发行	King Zhou	CRITICAL    MAJOR	.x    ±0.50	SCALE:	N:1	DATE:	2017/04/06	DAWN HU	KING ZHOU		B06-015
	△			▽:    ▽:	.xx    ±0.25	 <b>东莞市林诚塑胶电子有限公司</b> <a href="http://www.lineconn.com">http://www.lineconn.com</a> TEL: 0769-85181660 85181770							
	SIDE	DATE	DESCRIPTION	APPROVER	ZERO DEFECT    S.P.C	 							
	8	7	6	5	4	3	2	1					



ITEM	DESC.	MATERIAL	REMARKS	PART REMARKS
3	NUT	STEEL	PLATED NI	
2	SCREW	STEEL	PLATED NI	
1	HOOD	ZINC ALLOY	PLATED NI	

A	△				QUALITY SYMBOLS	Tolerance	NAME: VHDCI 68P MALE IDC刺破式组装外壳 (客户用图)				PART NO.	B06-068111AA-01		
	△				□:    ☒:	x.    ±0.80	REV:	A	UNIT:	mm	DRW BY	CHK BY	APP BY	DRAWING NO.
	△	2017/04/06	新版发行	King Zhou	CRITICAL    MAJOR	.x    ±0.50	SCALE:	N:1	DATE:	2017/04/06	DAWN HU	KING ZHOU		B06-016
	△				▽:    ▽:	.xx    ±0.25								
	SIDE	DATE	DESCRIPTION	APPROVER	ZERO DEFECT    S.P.C		lineconn 东莞市林诚塑胶电子有限公司				http://www.lineconn.com TEL: 0769-85181660 85181770			